

# Data Sheet

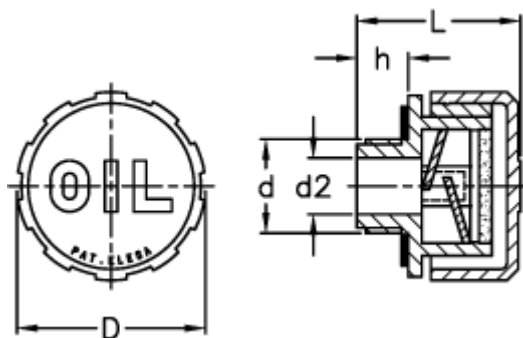


Article number: 2311053952

Description: E+G Breather plug  
SFP.30-16x1,5+F FOAM

## Measures

---



D = 31

d = M16x1,5

d2 = 10

h = 9.5

L = 29.5